

XC-23D-2



Model Number : XC-23D-2

Order Information : XC-23D-2

Materials : Heavy-duty preplated SPGC cold-rolled steel

Finish : Zinc-plated with bright chromate

Dimensions : mm : 146 x 240.2 x 85
 (W x D x H) inches : 5.75" x 9.45" x 3.34"

Cooling : Rear : 1 x 60x25mm fan

Indicators : HDD LED's

Drive Bay: 3.5" hot-swap 3

Temperature : 0°C(32°F) ~ 50°C(122°F)

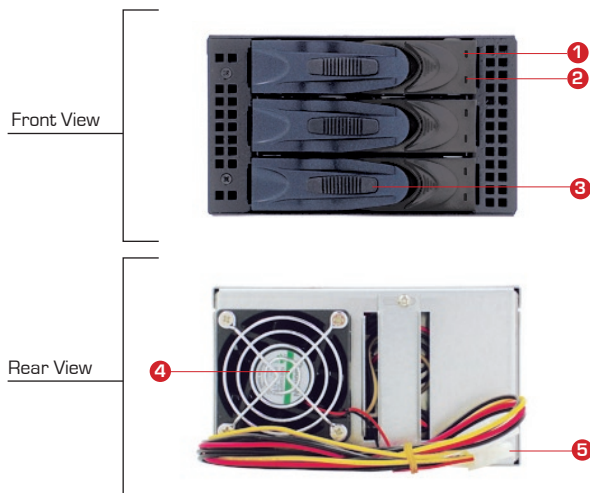
Humidity : 5%~95% non-condensing

Net Weight : 2 kgs / 4.4 lbs

Cubic Feet : 0.46

Packaging Dimension (W x D x H) : mm : 300 x 240 x 180

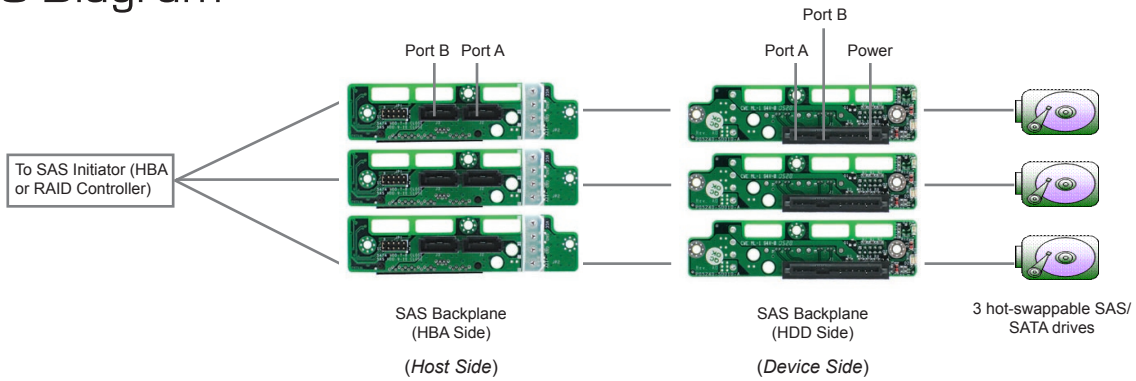
		Description
Backplane :	SS2	Serial ATA (SATA) 3G
	SC3	Parallel SCSI U320



Features & Benefits

- 1 LED for hard drive status - solid blue as power
- 2 Bi-color LED for hard drive status - blinking blue for activity & solid red for failure
- 3 Sleek, unique and user-friendly HDD tray design
- 4 1x 60mm self-contained cooling fans
- 5 2x 4-pin fan power connectors

SAS Diagram



SAS Backplane Description

Port A	SAS and/or SATA compatibility
Port B	SAS compatibility

Mechanical Drawing

