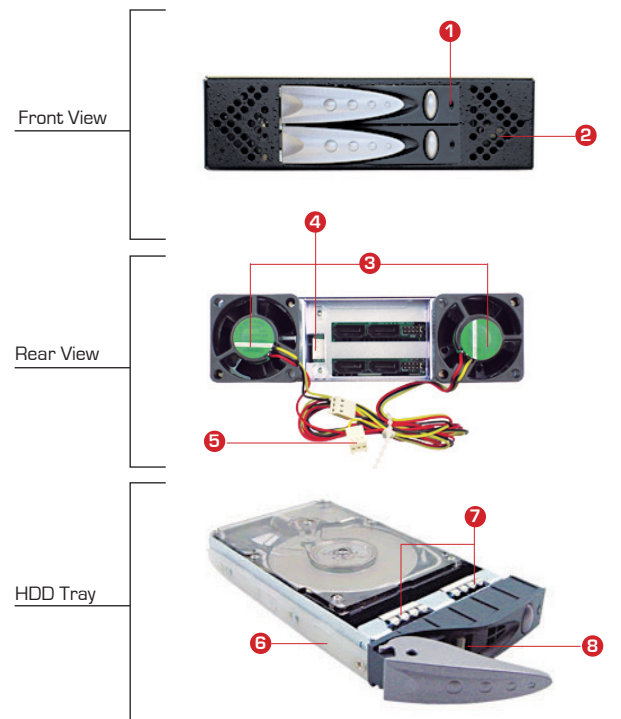


# XC-12-2



Model Number :	XC-12-2
Order Information :	XC-12-■-2
Materials :	Heavy-duty preplated SPGC cold-rolled steel
Finish :	Zinc-plated with bright chromate
Dimensions : (W x D x H)	mm : 146 x 198.87 x 41.5 inches : 5.75 x 7.83 x 1.63
Cooling :	Rear : 2 x 40x20mm fans
Indicators :	HDD LED's

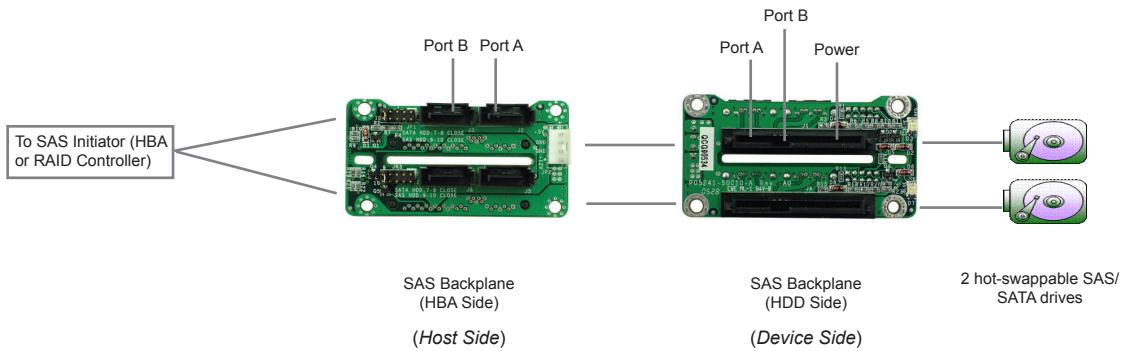
Drive Bay :	2.5" hot-swap	2
Temperature :	0°C(32°F) ~ 50°C(122°F)	
Humidity :	5%~95% non-condensing	
Gross Weight :	0.9 kg / 1.98 lbs	
Packaging Dimension (W x D x H) :	mm : 561 x 551 x 158	
Backplane :	■	Descriptions
	SS2	Serial ATA (SATA) 3G
	SA10	SAS 3.0 (non-SEP)



Features & Benefits	
1	Bi-color LED for hard drive status - solid blue for power, blinking blue for activity & solid red for failure
2	Front-to-back ventilation for superior cooling
3	2x 40mm Self-contained Cooling Fans
4	4-pin power connector
5	2x 3-pin Fan Connectors
6	Plastic Rail for Hard Drive Noise & Vibration Damping
7	EMI Shielding Gasket for EMI Grounding
8	Innovative Airflow Design For Optimized Cooling



## SAS Diagram



### SAS Backplane Description

Port A	SAS and/or SATA HDD
Port B	SAS HDD second port

## Mechanical Drawing

